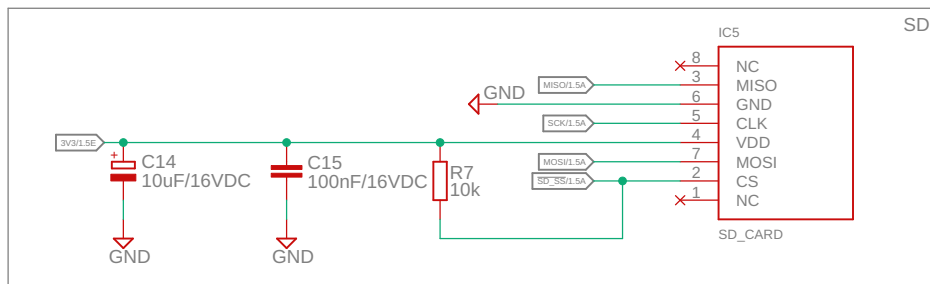
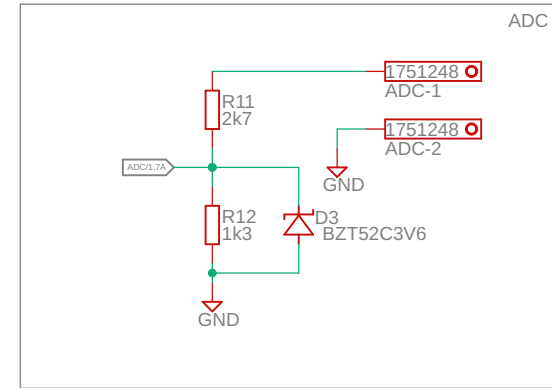
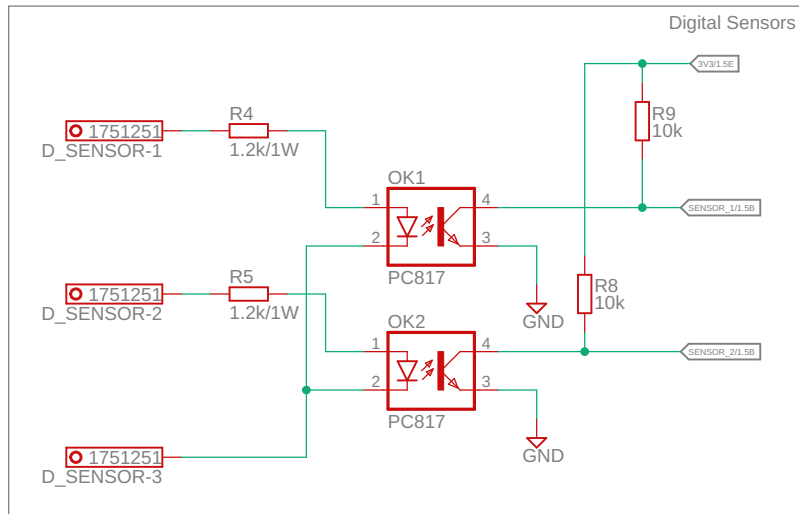
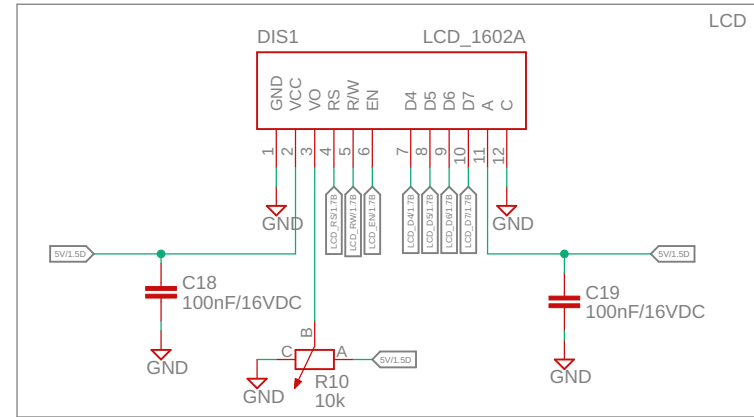
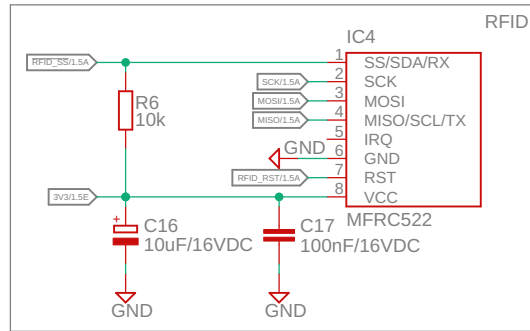
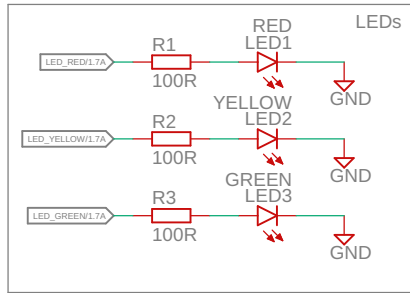
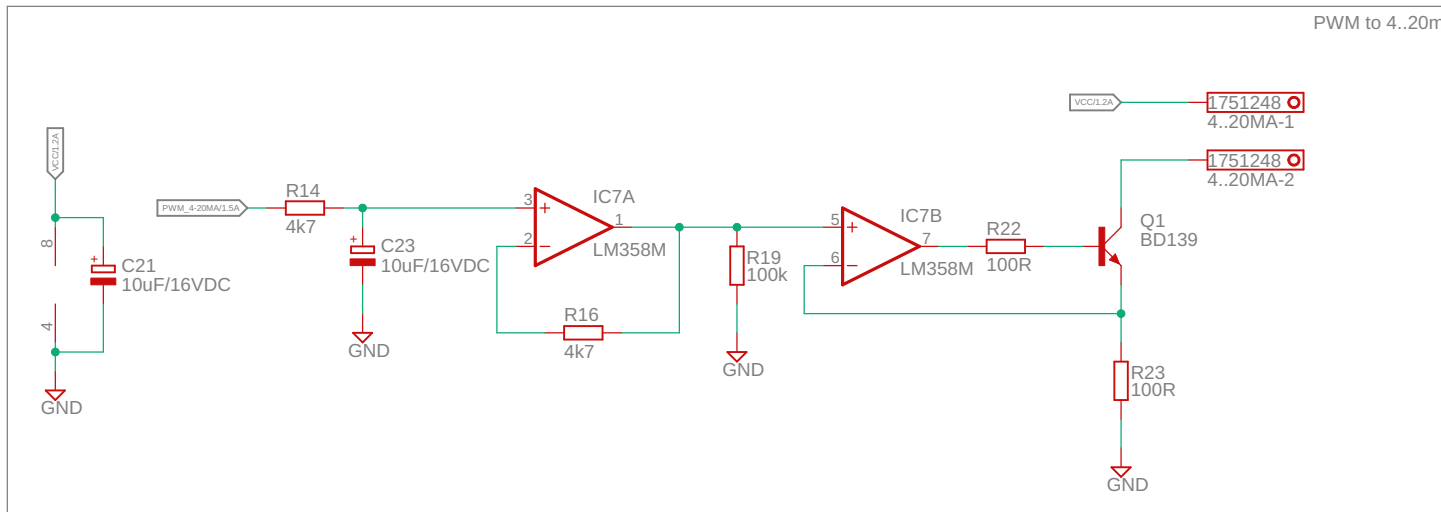
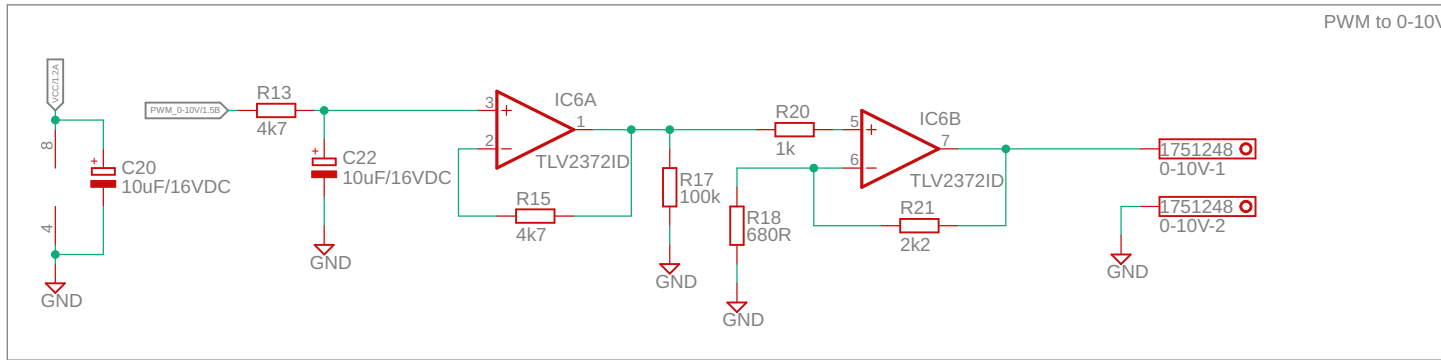


Title: Datalogger		
File: Datalogger_circuit.sch		
Sheet: 1/3		
Author: Jakub Kozłowicz, Aleksandra Rozmus		
Description: Project created at Wrocław University of Science and Technology during course called Electronics in Automation. This sheet contains all connections to microprocessor, programmer connector and circuits connected with power supply.		
Size: A4 Paper	Date: January 2022	Revision: 1.0



Title: Datalogger		
File: Datalogger_circuit.sch		
Sheet: 2/3		
Author: Jakub Kozłowicz, Aleksandra Rozmus		
Description: Project created at Wrocław University of Science and Technology during course called Electronics in Automation. This sheet contains all modules for operator to interact with.		
Size: A4 Paper	Date: January 2022	Revision: 1.0



Title: Datalogger		
File: Datalogger_circuit.sch		
Sheet: 3/3		
Author: Jakub Kozłowicz, Aleksandra Rozmus		
Description: Project created at Wrocław University of Science and Technology during course called Electronics in Automation. This sheet contains all modules connected to PWM - voltage generator and current loop.		
Size: A4 Paper	Date: January 2022	Revision: 1.0